

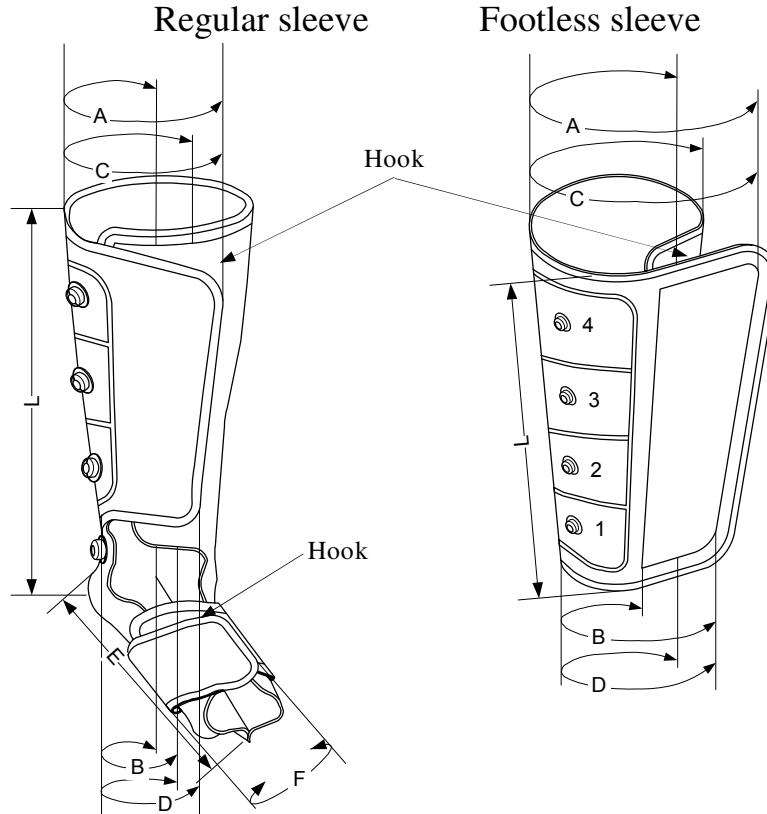
Lympha Press USA

Website: www.lympha-press.com

232 Park Avenue Manalapan New Jersey, 07726
 1-888-596-7421 • 732-792-9677 • 732-792-9710 • 732-792-9743

Fax: 732-792-9745

Phlebo Press DVT sleeves



Sleeve description* (Left & Right)	Catalog No.	Circumference Range						Sleeve length L	Foot length E	No. of cells
		Top		Bottom		Instep				
		Max. A	Min. C	Max. B	Min. D	Max. F	Min.			
Regular S DISP	L4ZD0310	420	300	350	240	280	180	420	210	4
Regular M DISP	L4ZD0320	520	360	380	260	310	200	485	240	4
Regular L DISP	L4ZD0330	570	410	440	380	380	310	485	240	4
Footless S DISP	Not available	420	320	340	260	--	--	275	--	4
Footless M DISP	L4ZD0120	480	350	360	290	--	--	330	--	4
Regular S REUSE	L4ZD1310	420	300	350	240	280	180	420	210	4
Regular M REUSE	L4ZD1320	520	360	380	260	310	200	485	240	4
Regular L REUSE	L4ZD1330	570	410	440	380	380	310	485	240	4
Footless S REUSE	Not available	420	320	340	260	--	--	275	--	4
Footless M REUSE	L4ZD1120	480	350	360	290	--	--	330	--	4

Note: Sleeves are sold in PAIRS (left/right).