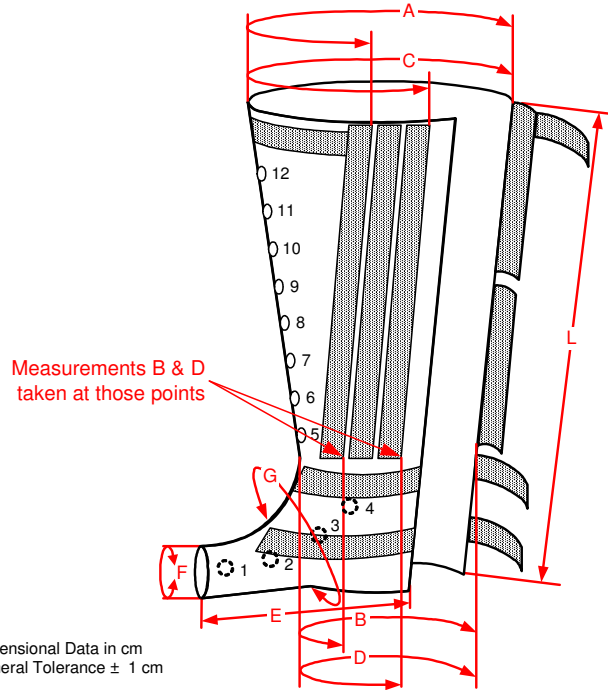


# Lympha Press USA

Website: [www.lympha-press.com](http://www.lympha-press.com)

232 Park Avenue Manalapan New Jersey, 07726  
 1-888-596-7421 • 732-792-9677 • 732-792-9710 • 732-792-9743  
 Fax: 732-792-9745

## Compression Sleeves with 3 Velcro Straps



Catalog No.	Sleeve No.	Circumference Range						Joint Line F	Sleeve Length L	Foot Length E	No. of Cells	Boot's No. of cells	Weight (Kg.)
		Top		Bottom		Instep							
		Min. A	Max. C	Min. B	Max. D	Min. G	Max. G						
L4131060	FL 1-60	43	56	30	38	30	32	22	62	23	7	1	0.61
L4131085	FL 1-85	54	64	30	38			22	84	23	10	1	0.78
L4132050	FL 2-50	45	57	32	42	39	41	26	53	35	8	4	0.46
L4132060	FL 2-60	48	60	32	42			26	60	35	9	4	0.53
L4132070	FL 2-70	48	62	30	44			26	69	35	10	4	0.59
L4132075	FL 2-75	56	64	34	44			26	77	35	11	4	0.69
L4132085	FL 2-85	57	67	34	44			26	85	35	12	4	0.76
L4132090	FL 2-90	58	70	34	44			26	90	35	11	2	0.90
L4132100	FL 2-100	59	73	34	44			26	99	35	12	2	0.95
L4133065	FL 3-65	62	74	43	55			52	54	29	67	47	9
L4133080	FL 3-80	66	78	42	56	29	81			47	10	4	0.80
L4133085	FL 3-85	66	80	42	56	29	88			47	11	4	0.92
L4133095	FL 3-95	70	84	42	56	29	95			47	12	4	1.04
L4133100	FL 3-100	74	88	42	56	29	103			47	11	2	1.15
L4133110	FL 3-110	78	91	42	56	29	113			47	12	2	1.30
L4134070	FL 4-70	80	94	65	74	58	60			32	69	49	9
L4134075	FL 4-75	84	98	60	74			32	76	49	10	4	0.95
L4134080	FL 4-80	86	100	64	74			32	83	49	11	4	1.00

Compression Sleeves with 3 Velcro Straps MM USA Rev. C