

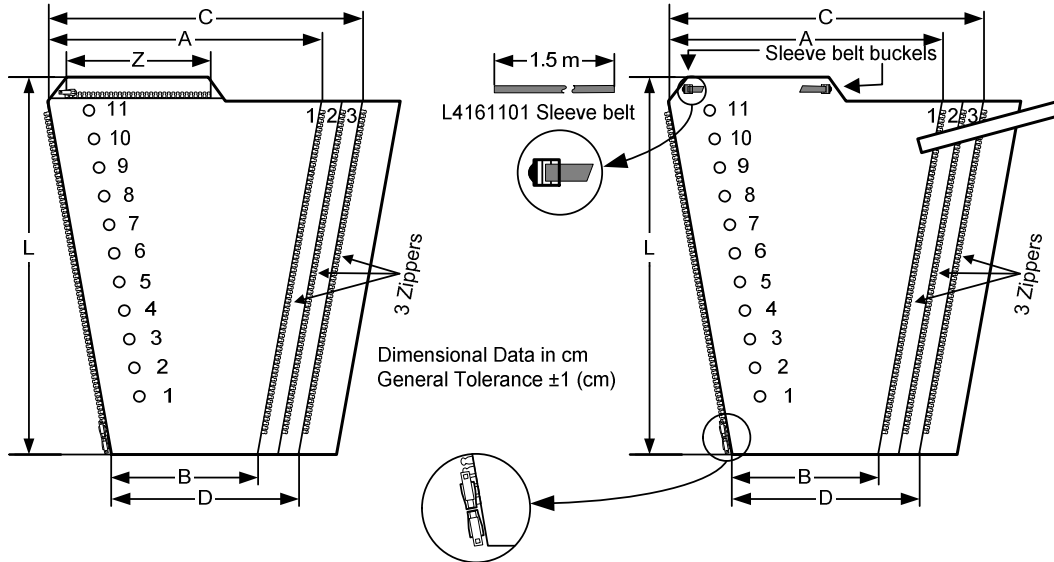
Lympha Press USA

Website: www.lympha-press.com

232 Park Avenue • 732-792-9677 • 732-792-9710 • 732-792-9745
 Manalapan • New Jersey, 07726

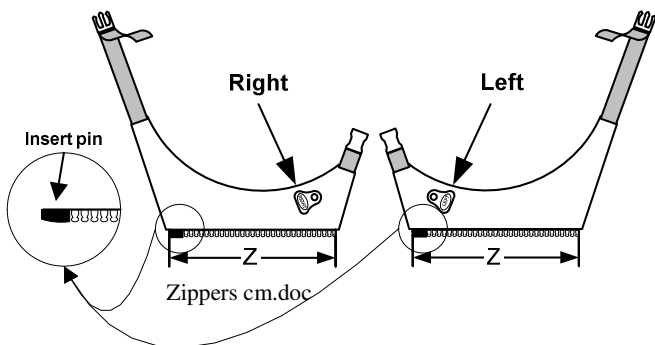
Fax: 732-792-9745

Compression Sleeves with 3 Zippers



Catalog No.	Sleeve No.	Circumference Range				Sleeve Length L	No. of Cells	Shoulder Attach. Zipper Length Z	Weight (Kg.)
		Min A	Max C	Min B	Max D				
L41111A4	ZIP 1-75L	44	55	26	35	75	10	40	0.76
L41111A5	ZIP 1-75M	40	50	25	33	75	10	35	0.76
L41111A6	ZIP 1-75S	35	45	24	32	75	10	30	0.76
L41111B4	ZIP 1-80L	46	56	27	36	82	11	40	0.72
L41111B5	ZIP 1-80M	41	52	25	33	82	11	35	0.72
L41111B6	ZIP 1-80S	36	46	25	33	82	11	30	0.71
L4119290	ZIP 2-75	51	62	30	40	76	9		0.75
L41192A0	ZIP 2-80	53	64	29	39	77	10		0.85
L41112B0	ZIP 2-85	54	65	27	37	85	11		0.89
L4119370	ZIP 3-60	62	74	40	53	62	7		0.78
L4119380	ZIP 3-70	65	77	40	53	72	8		0.84
L4119390	ZIP 3-75	66	79	40	53	77	9		0.92
L41193A0	ZIP 3-85	69	82	40	53	83	10		1.01
L41113B0	ZIP 3-90	68	82	36	49	91	11		1.09
L41114A0	ZIP 4-85	99	112	70	84	83	10		1.33
L4112140	Pedi 1-30	30	40	23	31	32	4		0.24
L4112250	Pedi 2-35	33	42	24	31	37	5		0.30
L4112370	Pedi 3-50	37	46	24	30	49	7		0.40
L4112480	Pedi 4-55	39	49	24	33	56	7		0.51

Shoulder attachment



Cat No.	Description	Size
L4171R2L	Right Shoulder attachment	L
L4171R2M	Right Shoulder attachment	M
L4171R2S	Right Shoulder attachment	S
L4171L2L	Left Shoulder attachment	L
L4171L2M	Left Shoulder attachment	M
L4171L2S	Left Shoulder attachment	S